



Protective Conductor Guard

Introducing a new range of simple yet highly effective high impact PVC protective conductor guards specifically designed to deter vandal damage and the removal of valuable conductor from lightning protection installations.

Lightning protection systems are now installed on almost every new commercial building constructed today. Each installation includes a number of metallic conductors, which form the vital electrical connection from the air termination to earth termination systems.

Removal of a conductor would reduce the effectiveness of the lightning protection system and potentially place the building, and people within, at risk from dangerous lightning energy. However, at ground level down conductors can often be a soft target for metal theft, opportunity crime and vandalism unless protected.

The Furse PVC protective conductor guard has been designed to deliver an effective and economical deterrent to this risk. With its high impact, durable construction and 3 metre length, the Furse conductor guard delivers protection well beyond the immediate reach of metal thieves. Quick to install, with a low profile, the range is suitable for 25 x 3 mm flat tape, Ø 8 mm solid circular conductor or 50 mm² stranded cable (Bare & PVC covered) and is available in a variety of colours to complement a building's exterior.





Furse protective conductor guard - the effective solution to theft, vandalism & damage

Features and benefits

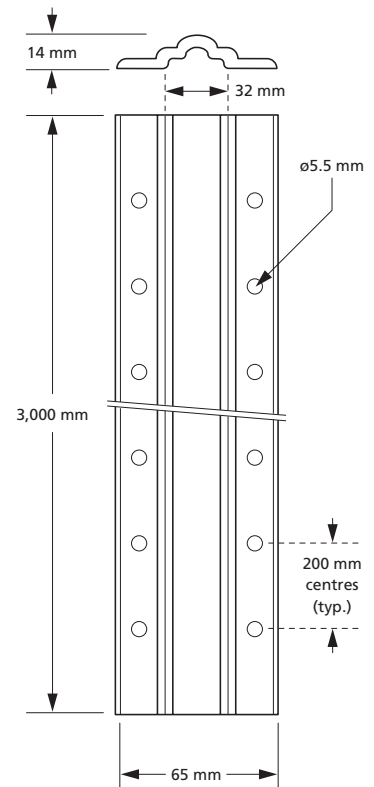
- Suitable for 25 x 3 mm flat tape, Ø 8 mm solid circular conductor or 50 mm² stranded cable (Bare & PVC covered)
- Manufactured from high impact grade of PVC
- UV stabilized to reduce colour degradation (in accordance with light fastness standard BS 1006 / DIN 54001)
- Lightweight and easy to handle
- Simple installation using security screws
- Suitable for internal and external applications, at a wide range of temperatures (-10 to +80 °C)

Installation

Conductor guard installation is primarily used from ground level to 3 m height to deter potential theft of valuable conductor. For effective installation:

- 1 Check the conductor is straight, flat and free from fixtures and fittings for the total length of the conductor guard.
- 2 Align the guard over the conductor, making sure that the guard covers the conductor along its entire length.
- 3 Where installing on to brick, masonry or concrete, drill holes to suit wall plugs for No. 10 screws. Where installing on to metallic surfaces, drill or drill and tap to suit M5 fixings.
- 4 Securely fix the guard to the internal or external building materials. It is recommended that 30 No. 10 x 1½" security screws (pan, round or button head) are used.

For maximum security the conductor guard should be fixed by 30 screws (the guard includes 15 pre-punched holes per side). The conductor guard can be re-drilled using a 5.5 mm drill bit if necessary where a pre-punched hole resides over an unsuitable material (e.g. brick mortar/coarse etc).



Conductor guard		
Colour	Weight each	Part No.
Black	1.00 kg	GC205
Grey	1.00 kg	GC215
Stone	1.00 kg	GC220
White	1.00 kg	GC225
Brown	1.00 kg	GC230

Suitable for use with 25 x 3 mm flat tape, Ø 8 mm solid circular conductor or 50 mm² stranded cable (Bare & PVC covered). PVC colours to BS 5252.