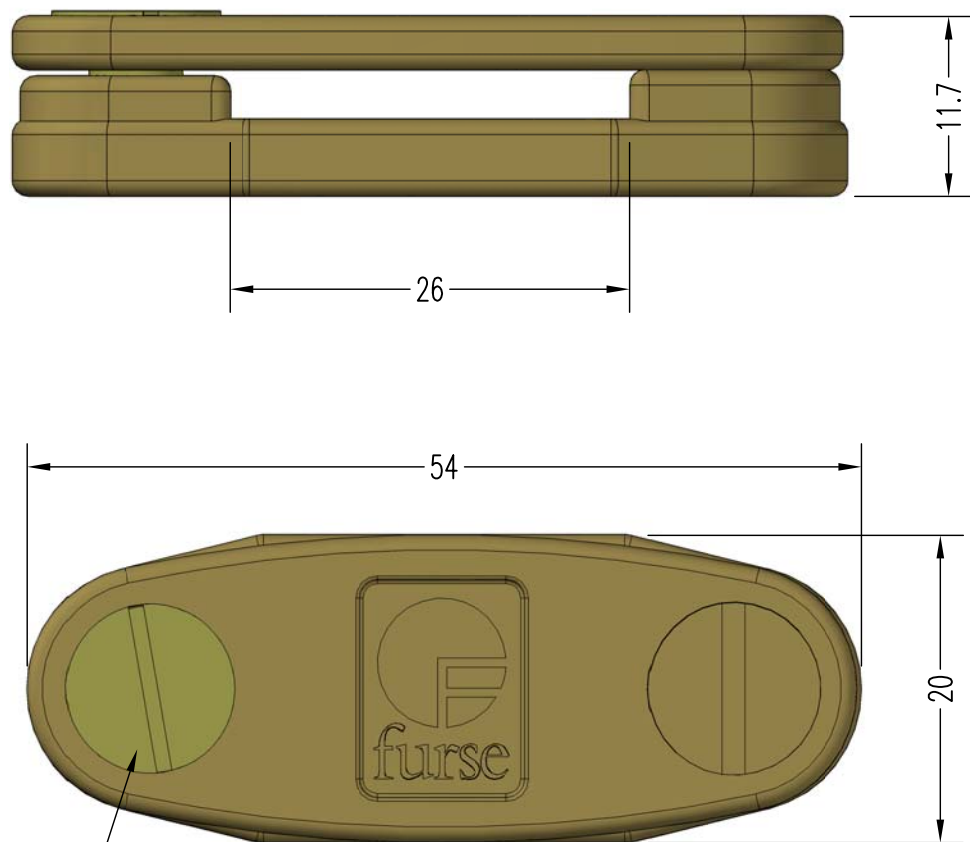
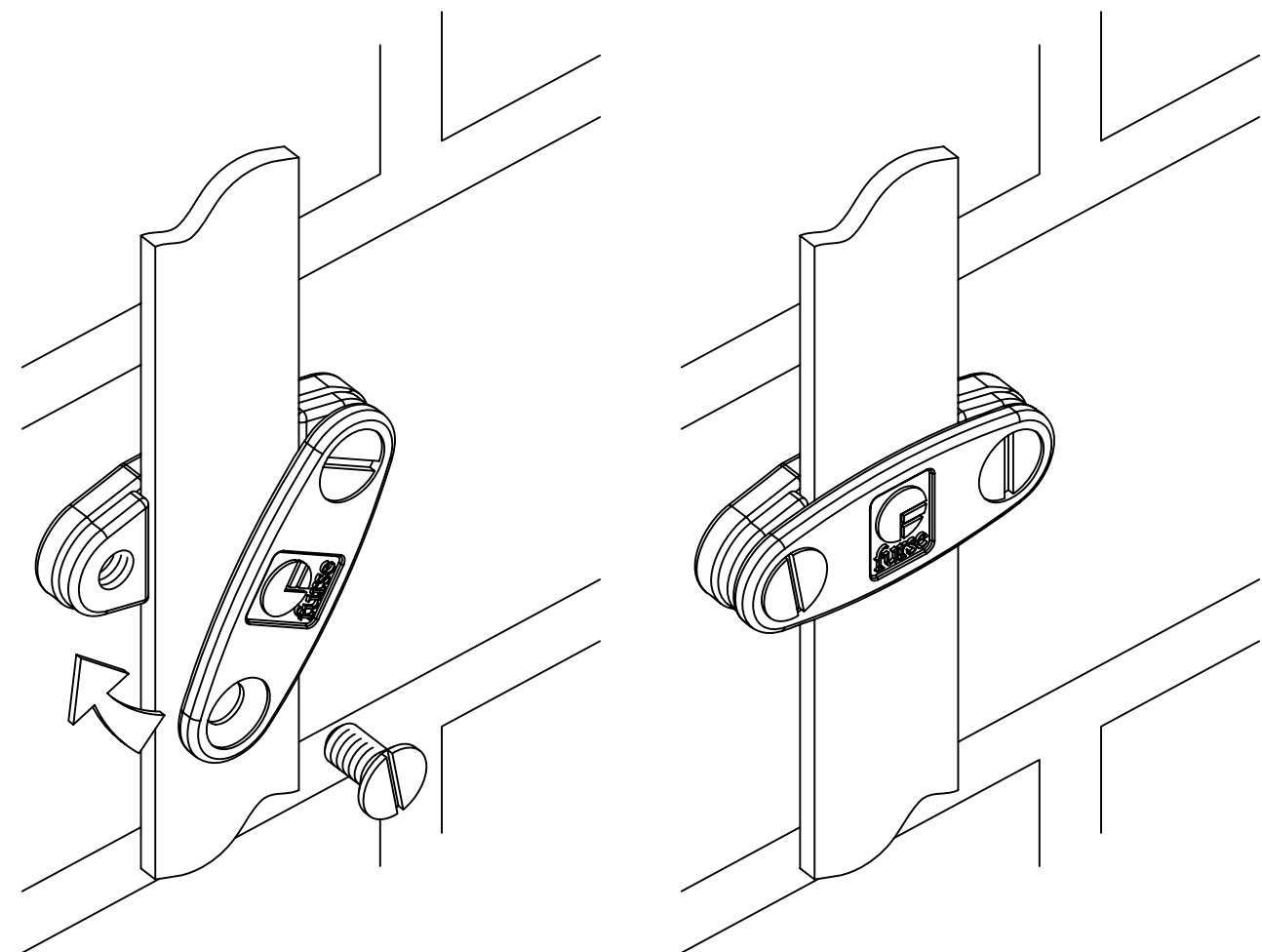


©  
COPY RIGHT  
RESERVED

CUSTOMER  
DRAWING



M6 x 10mm COUNTERSUNK  
HEAD SCREW - NAVAL  
BRASS



NOTES:

FIX TO THE WALL USING 1.5" x No. 10 WOODSCREW AND WALL PLUG

ISSUE	DATE	REVISION	C'NOTE	DRN	APP

GENERAL NOTES:  
1. All dimensions in mm unless stated otherwise.  
FURSE RESERVE THE RIGHT TO ALTER THE DESIGN OF ANY PRODUCT WITHOUT NOTICE.

**furse**

Wilford Road. Nottingham. NG2 1EB Great Britain

Tel: 0115 964 3700 Fax: 0115 986 0538.

**Thomas&Betts**

MATERIAL: COPPER ALLOY BODY NAVAL BRASS SCREW	FINISH: SELFCOLOUR
GENERAL TOLERANCES DIMENSIONS OF 40 OR GREATER ± 2% DIMENSIONS OF LESS THAN 40 ± 0.5	

TITLE: D.C. CLIP (CP210-H) FOR 25mm x 3mm BARE COPPER TAPE	DATE: 31.03.08	DRN: APM
CAD REF: CP210-H_CD_0.dwg	SCALE: 2:1	CHKD: MP
DRG.No: CP210-H_CD	SHEET: 1 OF 1	APP: APM
	PROJ: FIRST	REV: 0