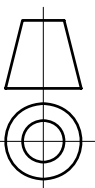
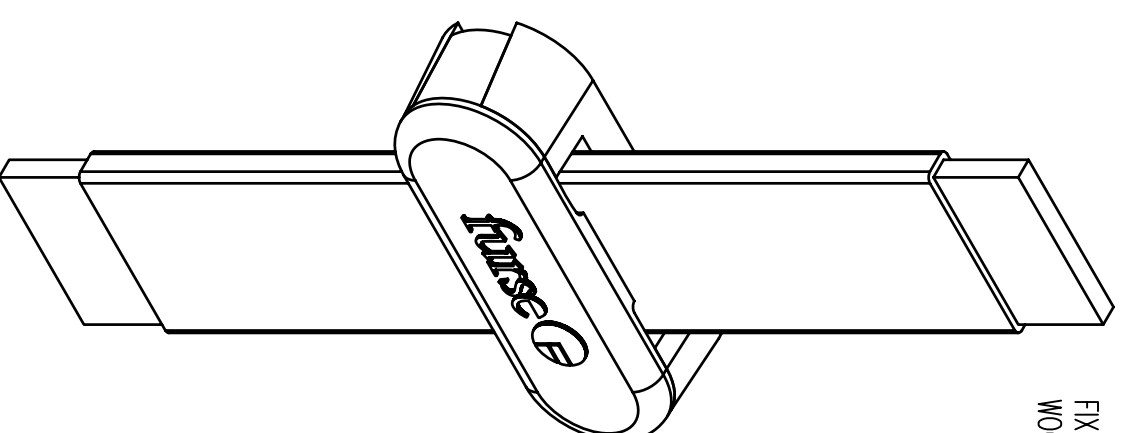
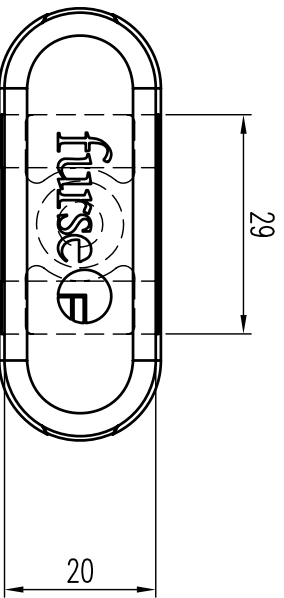
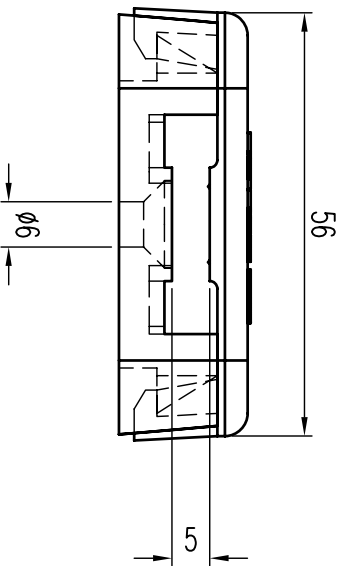


©
COPY RIGHT
RESERVED

FIRST ANGLE PROJECTION



CUSTOMER
DRAWING



FIX TO THE WALL USING No. 10 x 1 1/2"
WOODSCREW AND WALL PLUG

| | | | | | |
|---|----------|---------------------------|--------|------|-----|
| ISSUE | DATE | REVISION | C'NOTE | DRN | APP |
| 1 | 11.04.00 | NEW DRAWING (AUTOCAD R14) | | J.B. | JLB |
| GENERAL NOTES: 1. All dimensions in mm unless stated otherwise. | | | | | |
| W.J.FURSE RESERVE THE RIGHT TO ALTER THE DESIGN OF ANY PRODUCT WITHOUT NOTICE. | | | | | |
| SIZE | A3 | | | | |

furse
W.J. Furse & Co. Ltd.
Wilford Road,
Nottingham,
NG2 1EB.
Tel: 0115 986 3471.
Fax: 0115 986 0538.

Thomas & Borliss

| | | | | |
|----------|--------|---|----------|------|
| MATERIAL | FINISH | TITLE | DATE | DRN |
| POLYPROP | GREY | NON-METALLIC 'DC' CLIP SUITABLE FOR 25 x 3mm PVC TAPE | 11.04.00 | J.B. |
| | | CAD REF | SCALE | CHKD |
| | | \cod\elp\customer\fixtures\ CP040-C | 1:1 | JLB |
| | | DRG.No. | SHEET | APP |
| | | | 1 OF 1 | JLB |
| | | | DEPT | REV |
| | | | E&LP. | 1 |

THIS DRAWING IS THE PROPERTY OF W.J.FURSE & Co LTD., AND MAY NOT BE USED FOR ANY PURPOSE OTHER THAN FOR WHICH IT IS SUPPLIED.

SHEET REF TECH1 - C:\CAD\BORDERS\CUSTOMER\R14\CUS-A3.DWG REV 2.