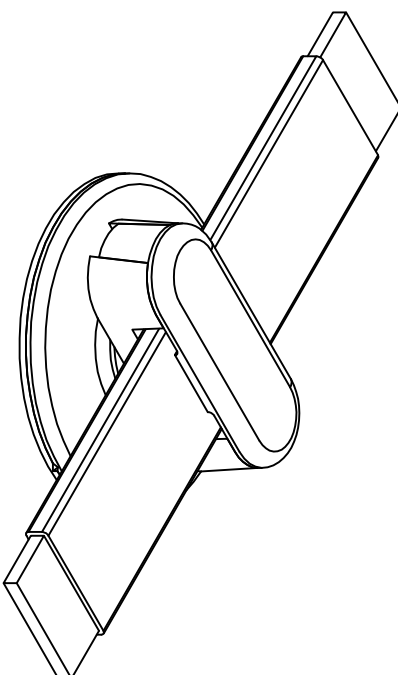
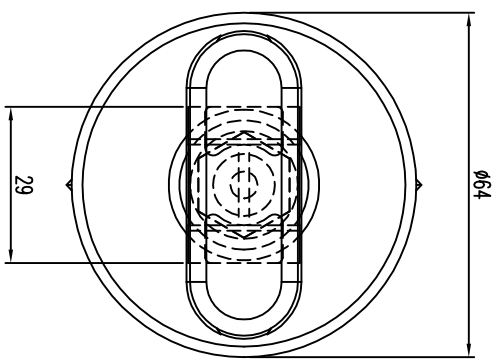
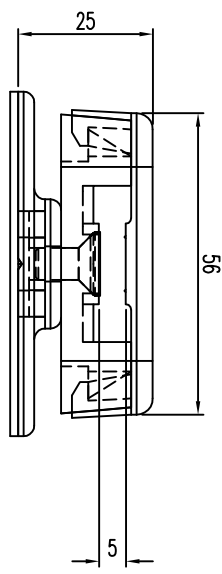


COPY RIGHT RESERVED

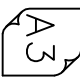

FIRST ANGLE PROJECTION



CUSTOMER DRAWING



NOTE :-
 FURSE STRONGLY RECOMMEND THE USE OF THE PRIMER WHEN INSTALLING THE FURSE ADHESIVE CLIP.
 (PRIMER SOLD SEPERATELY CAT No. CA900)
 CONTACT FURSE FOR MORE DETAILS

		GENERAL NOTES: 1. All dimensions in mm unless stated otherwise. W.J.FURSE RESERVE THE RIGHT TO ALTER THE DESIGN OF ANY PRODUCT WITHOUT NOTICE.		 W.J. Furse & Co. Ltd: 0115 986 3477 Wilford Road, Nottingham, NG2 1EB. Fax: 0115 986 0538.		MATERIAL POLYPROP GREY		TITLE NON-METALLIC ADHESIVE CLIP SUITABLE FOR 25 x 3mm PVC TAPE		DATE 20.03.00		DRN J.B.	
ISSUE	DATE	REVISION	C/NOTE	DRN	APP	CAD REF	DRG.No.	SHEET	SCALE	CHKD	REV	DEPT	REV
3	20.03.00	DRAWING UPDATED (AUTOCAD R14)	600	J.B.	PW	\\cad\elp\customer\fixtures\	CA040-C	1 OF 1	1:1	PW	3	E&P.	3
THIS DRAWING IS THE PROPERTY OF W.J.FURSE & Co LTD., AND MAY NOT BE USED FOR ANY PURPOSE OTHER THAN FOR WHICH IT IS SUPPLIED.													
SHEET REF TECH1 - C:\CAD\BORDERS\CUSTOMER\R14\CUS-A3.DWG REV 2.													