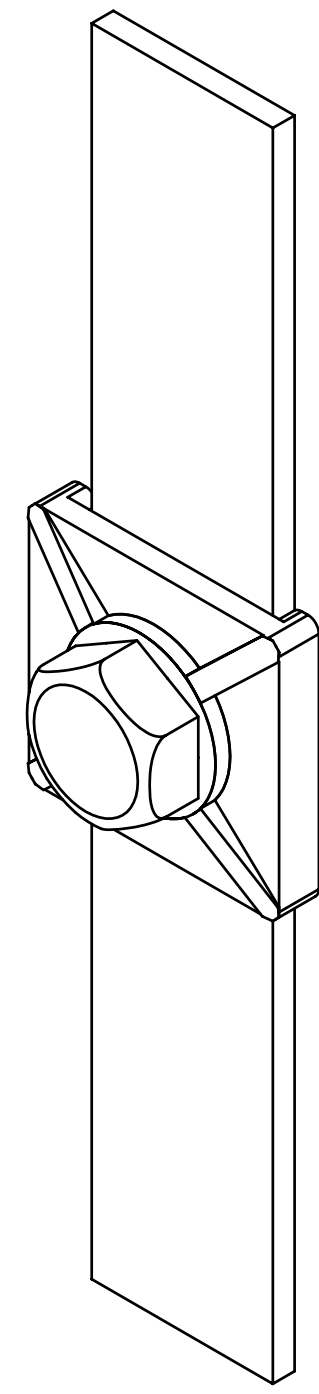
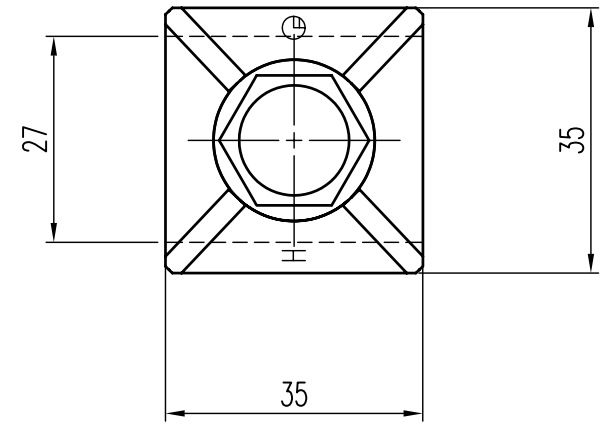
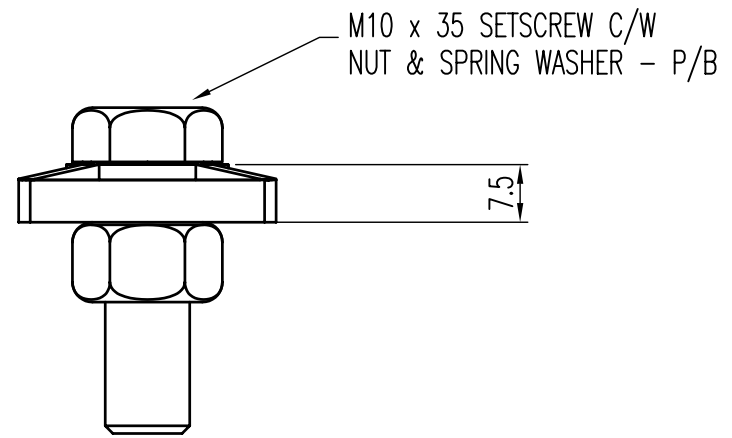
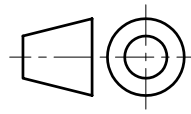


©
COPY RIGHT
RESERVED

CUSTOMER
DRAWING

FIRST ANGLE PROJECTION



FOR BONDING TAPE TO
STEEL STRUCTURES

13	29.03.99	CHANGED MANUFACTURING PROCESS	583	JB	JLB
ISSUE	DATE	REVISION	C'NOTE	DRN	APP
SIZE		GENERAL NOTES: 1. All dimensions in mm unless stated otherwise. W.J.FURSE RESERVE THE RIGHT TO ALTER THE DESIGN OF ANY PRODUCT WITHOUT NOTICE.			
A3					

furse 

W.J. Furse & Co. Ltd. Tel: 0115 986 3471.
Wilford Road. Fax: 0115 986 0538.
Nottingham.
NG2 1EB.

Thomas&Betts

MATERIAL	INGOT 874
FINISH	SELFCOLOUR

TITLE	' B ' BOND FOR 25mm WIDE TAPE
CAD REF	\cad\elp\customer\fixtures\
DRG.No.	BN105-C

DATE	29.03.99	DRN	J.B.
SCALE	1:1	CHKD	JLB
SHEET	1 OF 1	APP	JLB
DEPT	E&LP.	REV	14